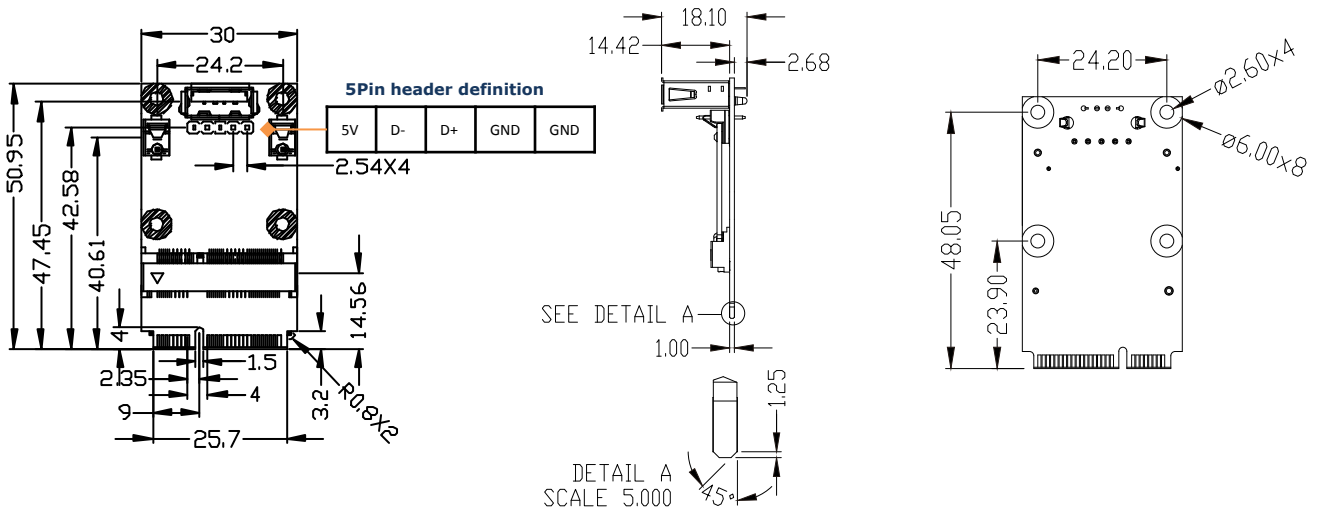


Features

- Supports half mPCIe to full size mPCIe slot
- USB A type connector and 2.54mm 5pin USB header connector with +5V
- Power LED, Access LED
- Optional PCIe to SATA bridge (JMB362)
- 30µ " golden finger, 3 years warranty
- Industrial design, manufactured in innodisk Taiwan

Mechanical Drawing



Specifications

Headquarters (Taiwan)
 5F., No. 237, Sec. 1, Datong Rd.,
 Xizhi Dist., New Taipei City 221,
 Taiwan
 Tel: +886-2-77033000
 Email: sales@innodisk.com

Branch Offices:
USA
usasales@innodisk.com
 +1-510-770-9421

Europe
eusales@innodisk.com
 +31-040-282-1818

Japan
jpsales@innodisk.com
 +81-45-594-7581

China
sales_cn@innodisk.com
 +86-755-21673689

www.innodisk.com

© 2015 Innodisk Corporation.
 All right reserved. Specifications
 are subject to change without
 prior notice.

July 27, 2015

Form-Factor	mPCIe
Input I/F	PCI Express 1.0, USB 2.0
Output I/F	PCI Express 1.0, USB 2.0 with +5V
Output Connector	mPCIe x 1, USB A type x 1, USB 5P header x 1(Alternative)
TDP	2W(3.3V x 600mA)
Dimension (WxLxH)	30 x 50.9 x 18.1 mm, Weight: 8g
Temperature	Operation: STD: 0°C ~ +70°C; W/T: -40°C ~ +85°C Storage: -55°C ~ +95°C
Environment	Vibration: 5G @7~2000Hz, Shock: 50G @ 0.5ms
Notes	

Order Information

EMPP-0201-C1 mPCIe to Half mPCIe & USB Module